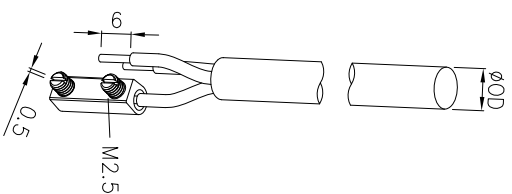
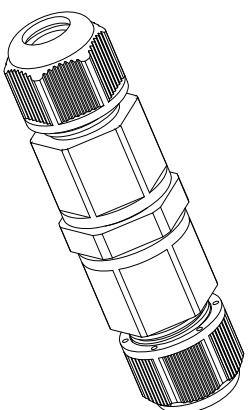
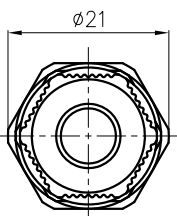
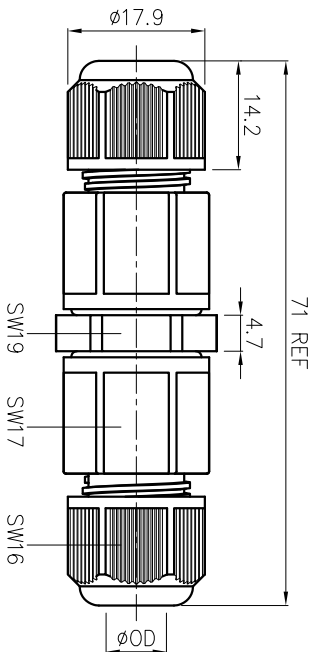


REVISION RECORD			
REV	ECN	DESCRIPTION	DFT DATE

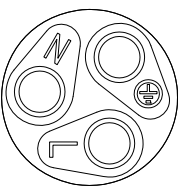


NOTES:

- 1.RoHS Compliance,
- 2.The Code direction is shown as diagram,
- 3."⊗"Point advertent place,
- 4.Housing material:PA66(UL94 V0)(Color:black)
- 5.Contact body material:PA66(UL94 V0)(Color:blue)
- 6.Contact material:Copper alloy,(plating: Ni)
- 7.Rubber and O Ring material:Silicone,(Color:black)
- 8.Screw material:Steel,M2.5
- 9.Cable OD : $\phi 5 \sim \phi 7$ mm.

Technique parameter-3 PIN

Rated voltage	500V
Rated current	16A
Insulation resistance	$\geq 100M\Omega$
Withstanding voltage	1000VAC
Operating temperature	-40°C~+85°C
Levels of protection	IP68
Wire gauge	0.75~1.5mm ²



Dimensional tolerance(mm)

≤ 30	~ 30	~ 60	~ 100	~ 150	>150
± 0.20	± 0.30	± 0.50	± 0.70	± 1.00	

DETACHED LISTS

PART NO.:	/	NAME:	NINGBO DEGSON ELECTRICAL CO., LTD	
APPD:	YX-C Series			
CHKD:				
DFT:	WYM 200/04/22	TITLE:	ASSEMBLY DRAWING	REV
		DRAWING NO.:	XX	DO-1
				1/1
			DO NOT SCALE DRAWING	SCALE
				1:1

A

B

C

D

E

F

G

H

H

A

B

C

D

E

F

G

H

H

8

7

6

5

4

3

2

1